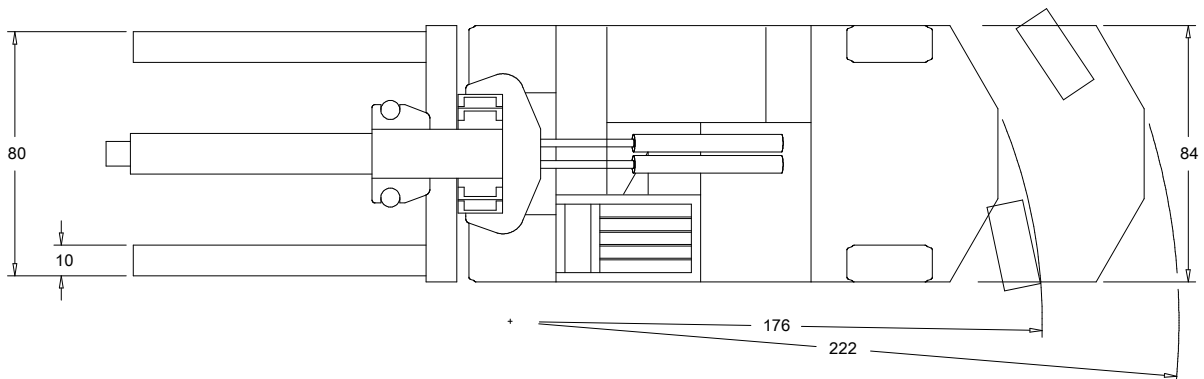
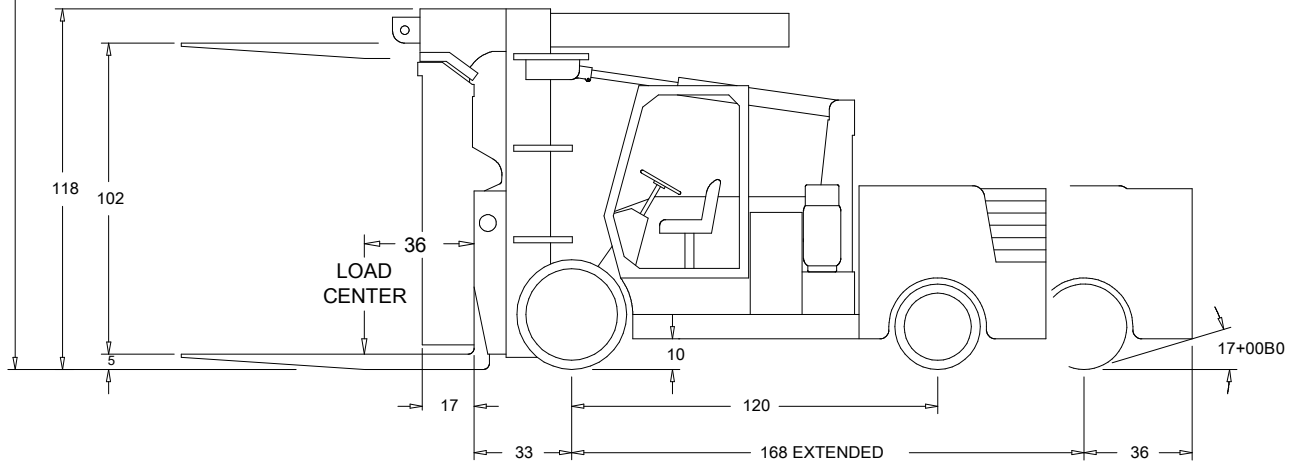
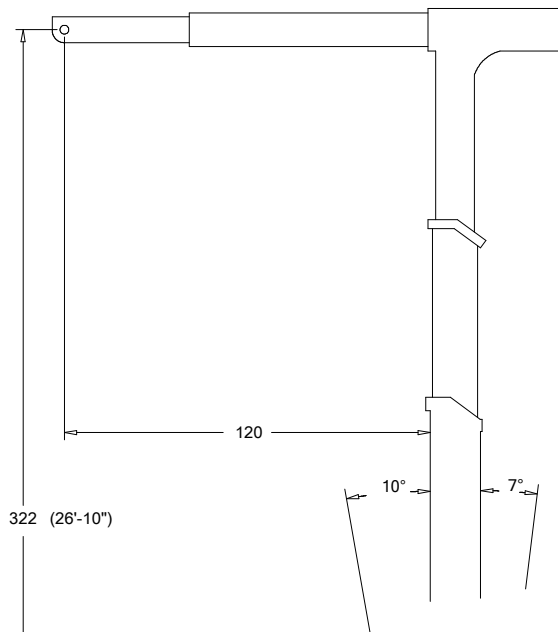


VERSA-LIFT 60/80

60000 LBS @ 36" RETRACTED
 80000 LBS @ 36" EXTENDED
 100000 LBS @ 22" EXTENDED

ENGINE: GM 4.3
 TRANSMISSION: SAUER HYDROSTATIC
 DRIVE AXLE: PLANETARY WHEEL ENDS
 TIRES: FRONT 36X22 POLY
 REAR 28X12 POLY
 GRADE: EMPTY 44%
 LOADED 19%
 TILT: FORWARD 10°, BACK 7°
 WEIGHTS: GROSS 78000 LBS
 COUNTERWEIGHT 30000 LBS
 BOOM 7500 LBS
 FORKS 4000 LBS



CUSTOM MOBILE EQUIPMENT, INC.

439 EAST HIGH STREET, BALDWIN CITY, KS 66006

(785) 594-7474 FAX (785) 594-7475