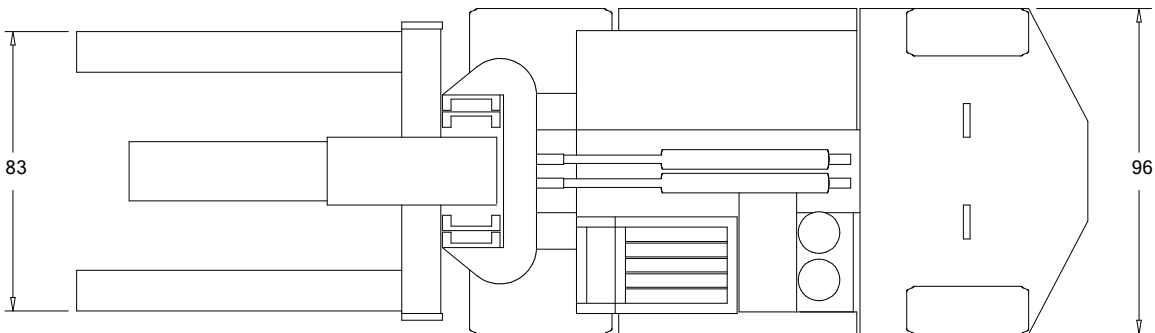
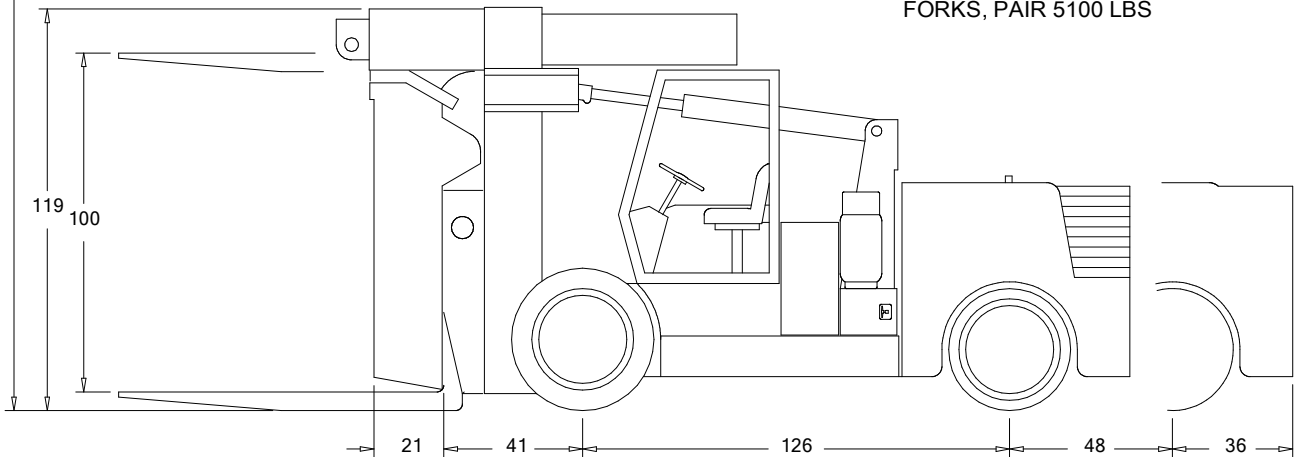


VERSA-LIFT 85/115

85000 LBS @ 36" RETRACTED
 115000 LBS @ 36" EXTENDED
 140000 LBS @ 24" EXTENDED
 44000 LBS @ 120" EXTENDED

ENGINE: GM 4.3L V6
 TRANSMISSION: REXROTH HYDROSTATIC
 TIRES: FRONT 42X25X30 POLY
 REAR 36X14X30 POLY
 GRADE: EMPTY 50%
 LOADED 30%
 TILT: FORWARD 10°, BACK 7°
 WEIGHTS: 85/115, COMPLETE 120000 LBS
 COUNTERWEIGHT 42300 LBS
 CHASSIS 58000 LBS
 BOOM 13000 LBS
 BOOM STAND 1000 LBS
 FORKS, PAIR 5100 LBS



CUSTOM MOBILE EQUIPMENT, INC.

439 EAST HIGH STREET, BALDWIN CITY, KS 66006

(785) 594-7474 FAX (785) 594-7475