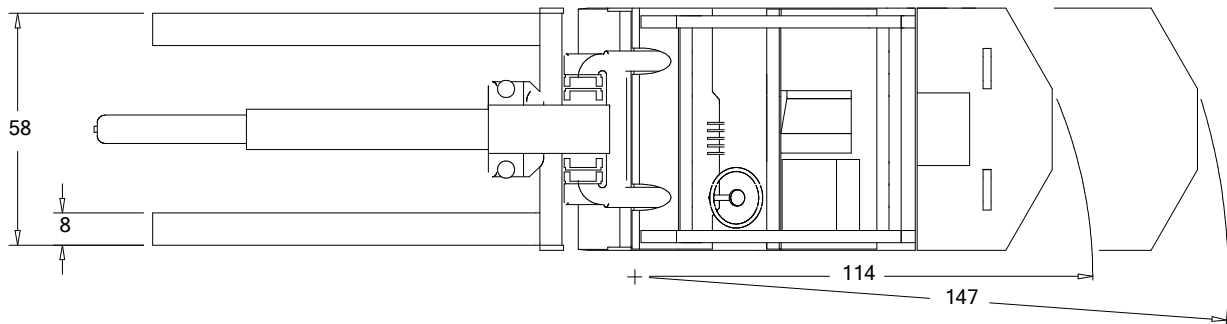
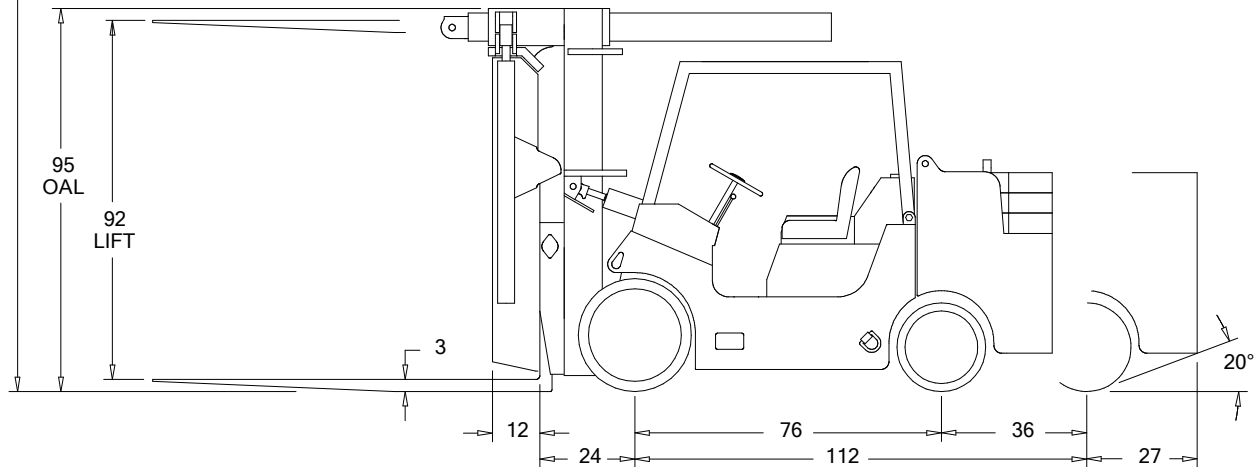
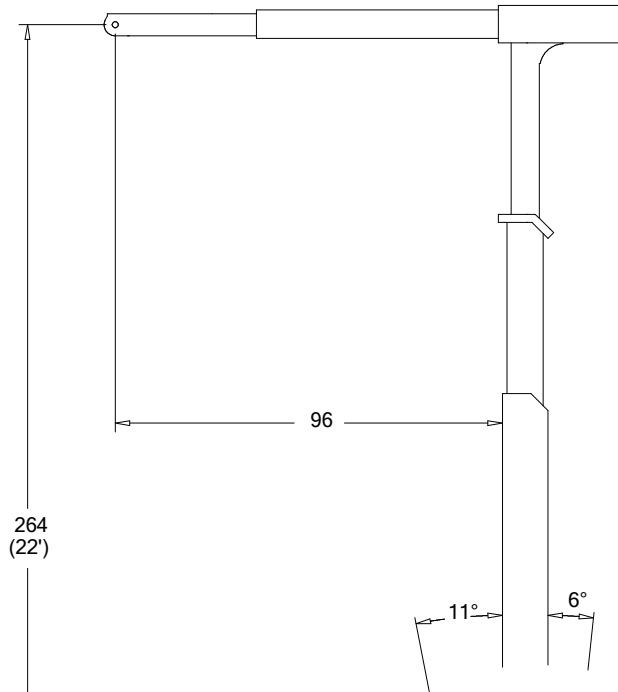


VERSA-LIFT ^{25/35}

25000 LBS @ 24" RETRACTED
 35000 LBS @ 24" EXTENDED

ENGINE: GM 3.0L
 DRIVE SYSTEM: HYDROSTATIC
 TIRES: FRONT 28X16 POLY
 REAR 22X8 POLY
 GRADE: EMPTY 38%
 LOADED 17%
 TILT: FORWARD 11°, BACK 6°
 WEIGHTS: TOTAL 34500 LBS
 BOOM 3000 LBS
 COUNTERWEIGHT 6000 LBS
 FORKS 1500 LBS



CUSTOM MOBILE EQUIPMENT, INC.

439 EAST HIGH STREET, BALDWIN CITY, KS 66006

(785) 594-7474 FAX (785) 594-7475