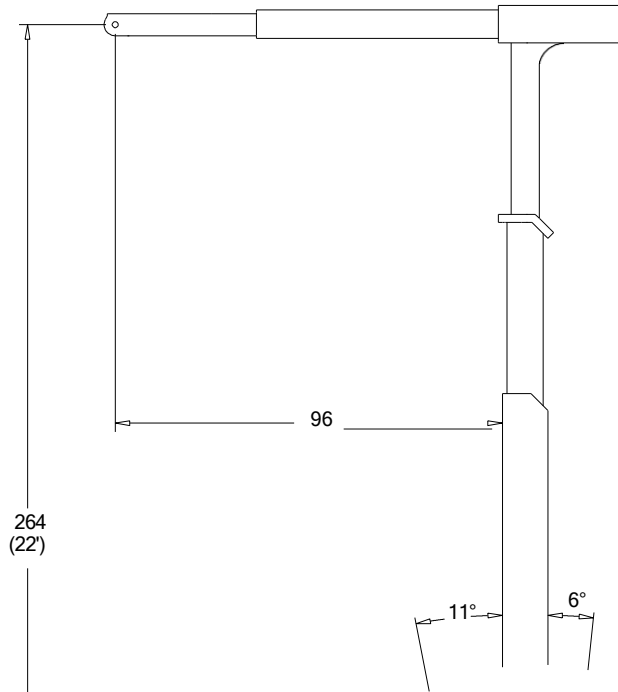
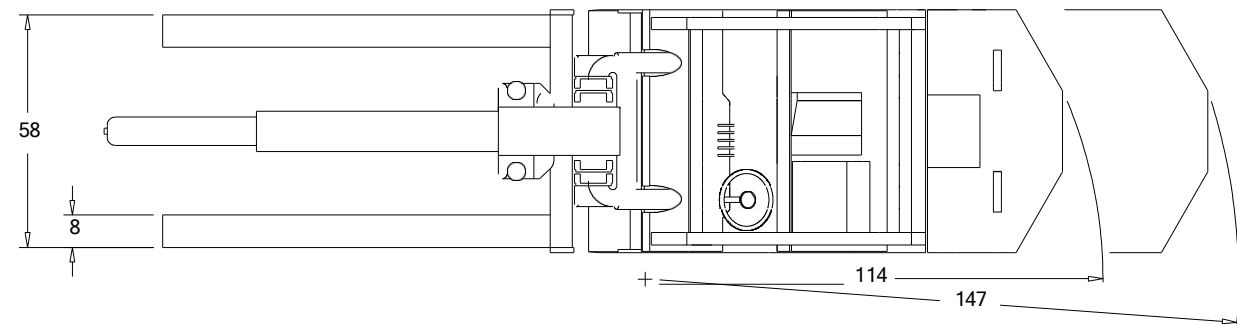
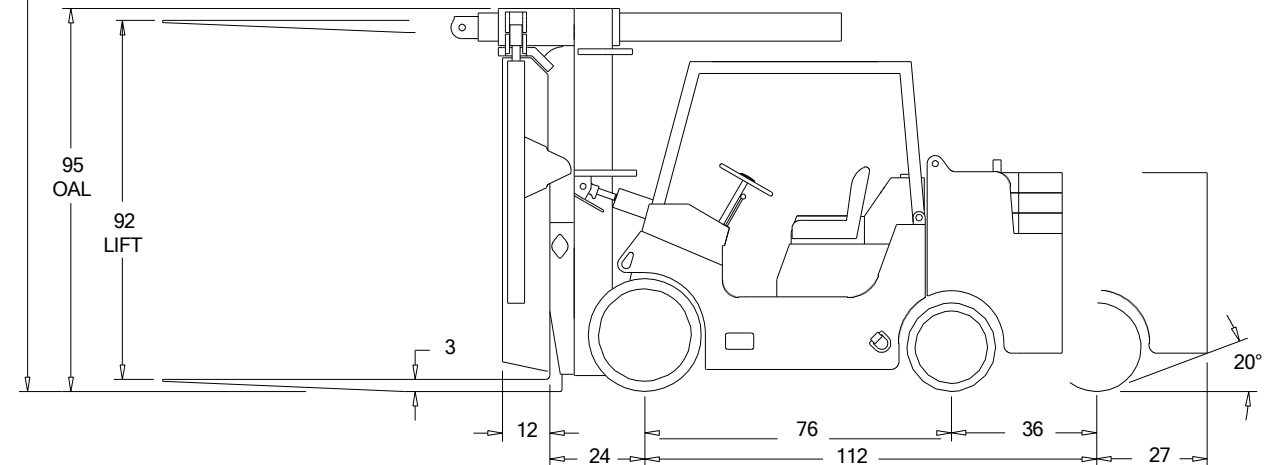


25/35 Versa-Lift Spec Sheet



- Capacity:** 25,000 lbs. Frame Retracted
35,000 lbs. Frame Extended
- Engine:** 2.5L Kubota Industrial Engine
- Transmission:** Two Speed Hydrostatic
- Grade:** 38% Empty
17% Loaded
- Tilt:** 11° Forward
6° Back
- Weight:** Gross – 34,500 lbs.
Counterweights – 6,000 lbs.
Boom – 3,000 lbs.
Forks – 1,500 lbs.



VERSA-LIFT